

Pressure Gauges / General Purpose Gauges / Pressure Gauges / Ø 50 mm.

CONSTRUCTIVE PROPERTIES

| | STANDARD | OPTIONAL |
|------------------|--|--------------------------------------|
| Mounting Type | Bottom Connection | See Technical Drawing |
| Scale Unit | bar/psi | psi kg/cm ² atm mWs |
| Scale Range (PN) | 0/1 0/1,6 0/2,5 0/4 0/6 0/10 0/16 0/25 0/40 0/60 0/100 0/160 0/250 0 - 315 | |
| Case | Plastic (ABS) | Steel (Black Enamelled) |
| Window | Polycarbonate | - |
| Movement | Brass | - |
| Wetted Parts | Copper Alloy | - |
| Connection | G 1/8" B | 1/8" NPT |
| Dial | Aluminum | - |
| Pointer | Plastic | Aluminum |
| Welding | Soldering | Hard Soldering |

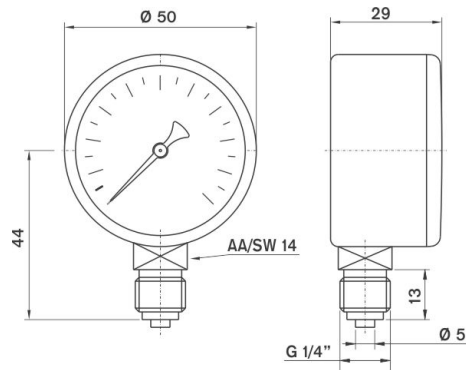


MG050DRP1
Bottom Connection

USAGE PROPERTIES

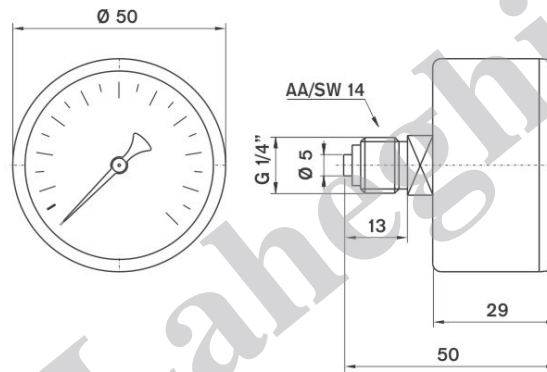
| | | |
|----------------------------|--|-------------------|
| Fluid Temperature | Maximum + 60 °C | Maximum + 120 °C |
| Ambient Temperature | - 40...+ 60°C | - |
| Operating Pressure (max.) | Must not exceed %75' of full scale. | |
| Over Pressure Limit | ≤40 bar PN x 1.25 | >40 bar PN x 1.15 |
| Accuracy Class | CL 2.5 | CL 1.6 |
| Protection Rate | IP 41 | - |
| Optimum Operating Range | Between 0,1 x PN and 0,75 x PN | |
| Storage Temperature | -40 ... +70 °C | - |
| Conformity | EN 837 - 1 | EN 837 - 1 |
| Mechanical Shock Test Load | 15g | - |
| Mechanical Vibration Test | 10 Hz ile 150 Hz -1 oktav/dk. 2s / 3 eksende | |

Pressure Gauges / General Purpose Gauges / Pressure Gauges / Ø 50 mm.



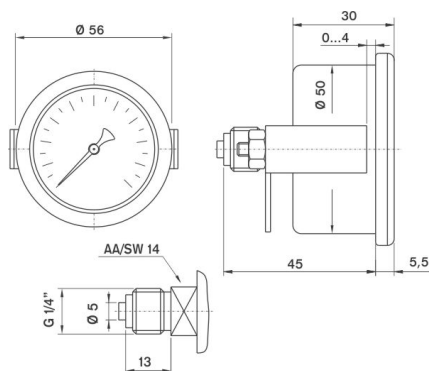
Model No: MG050DRP1

Bottom Connection



Model No: MG050DRP2

Back Connection



Model No: MG050DRP3

Back Connection Panel Mounted